

# WASHER

## Repair Parts List

MODEL NUMBER

FAV6800AWW

When requesting service or ordering parts, always provide the following information:

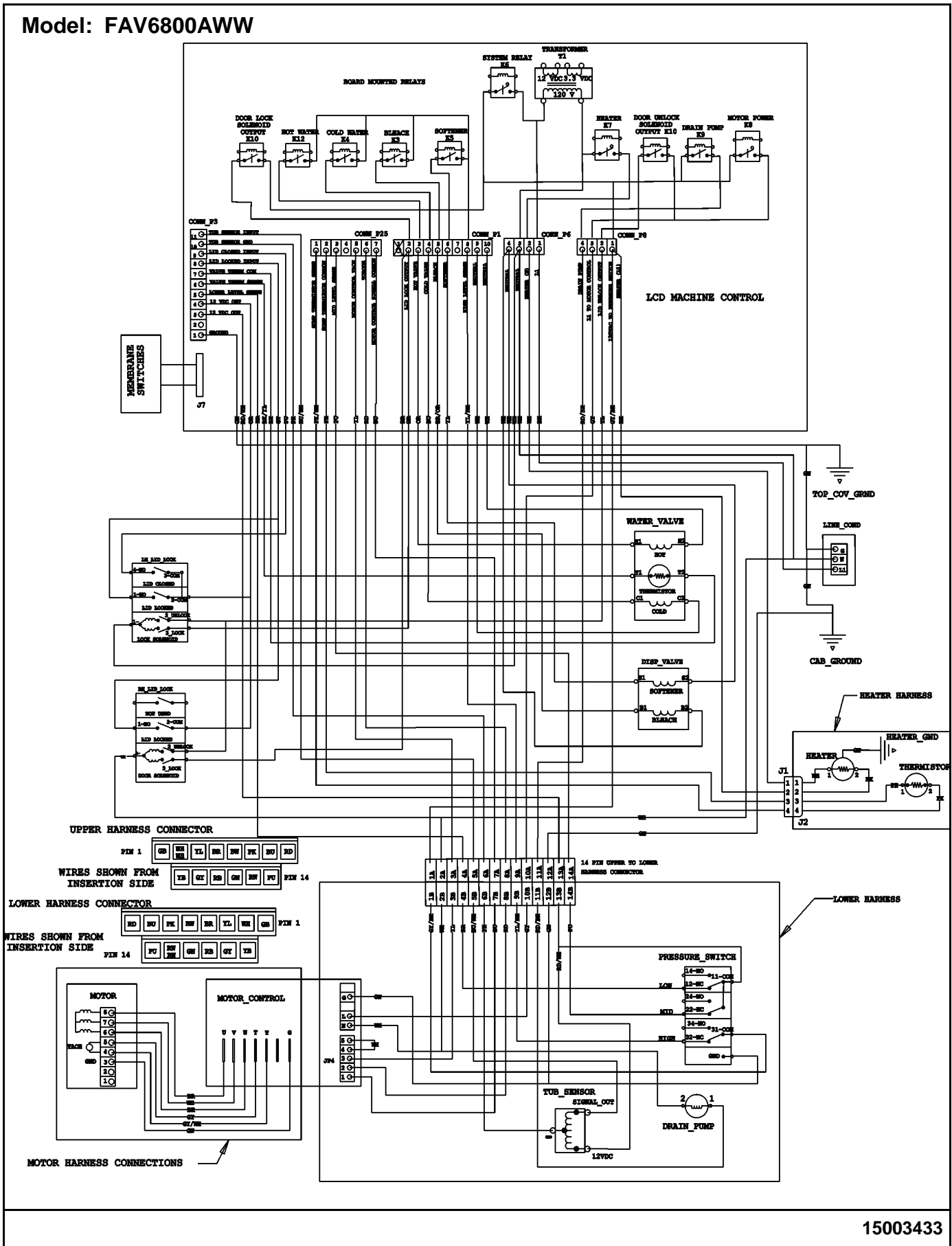
- Product Type
- Part Number
- Model Number
- Part Description

**MAYTAG**®

©2005 Maytag Services

# Section: WIRING INFORMATION

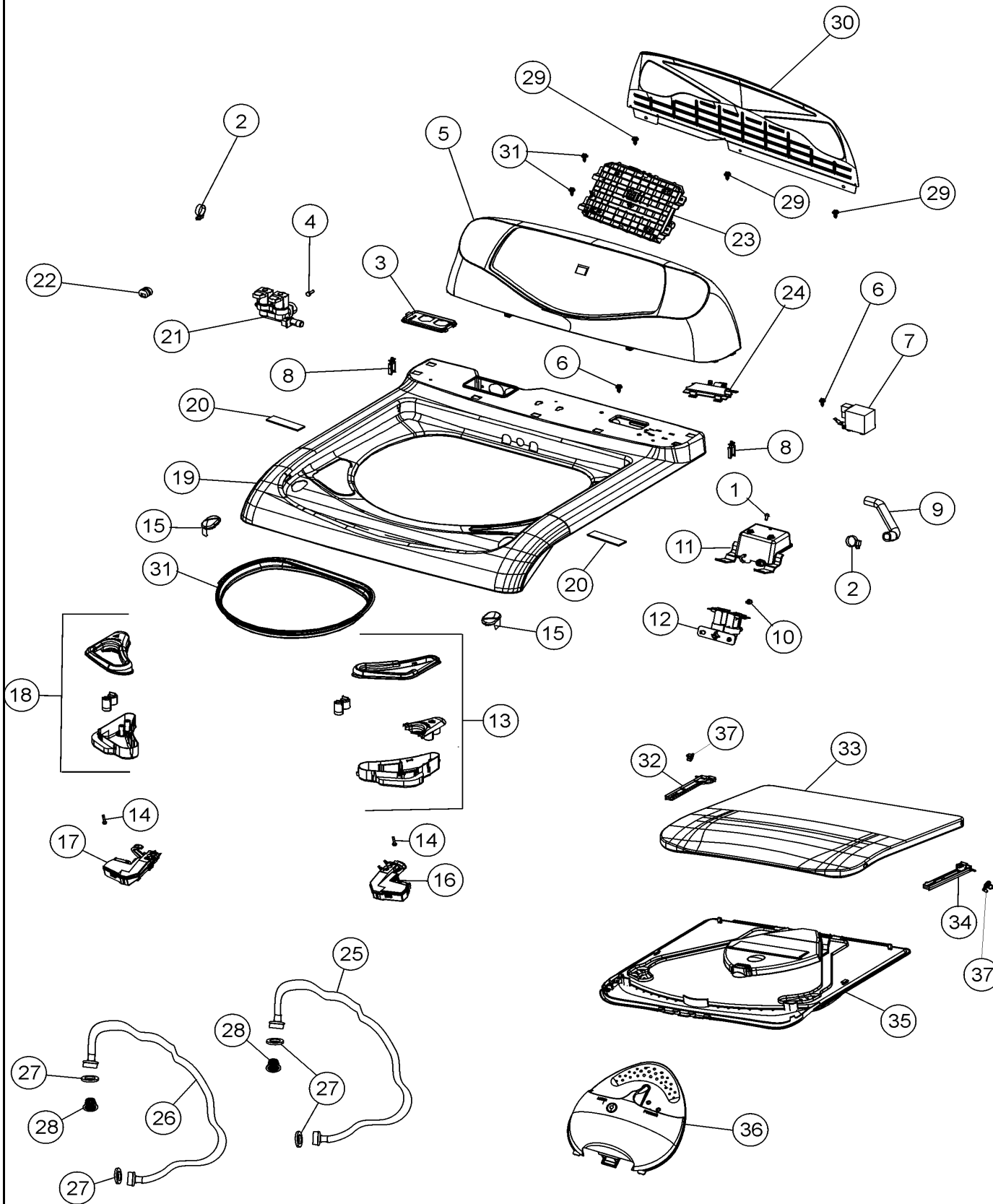
Model: FAV6800AWW



15003433

Section: CONTROL PANEL, TOP & LID

Model: FAV6800AWW



LW16-65

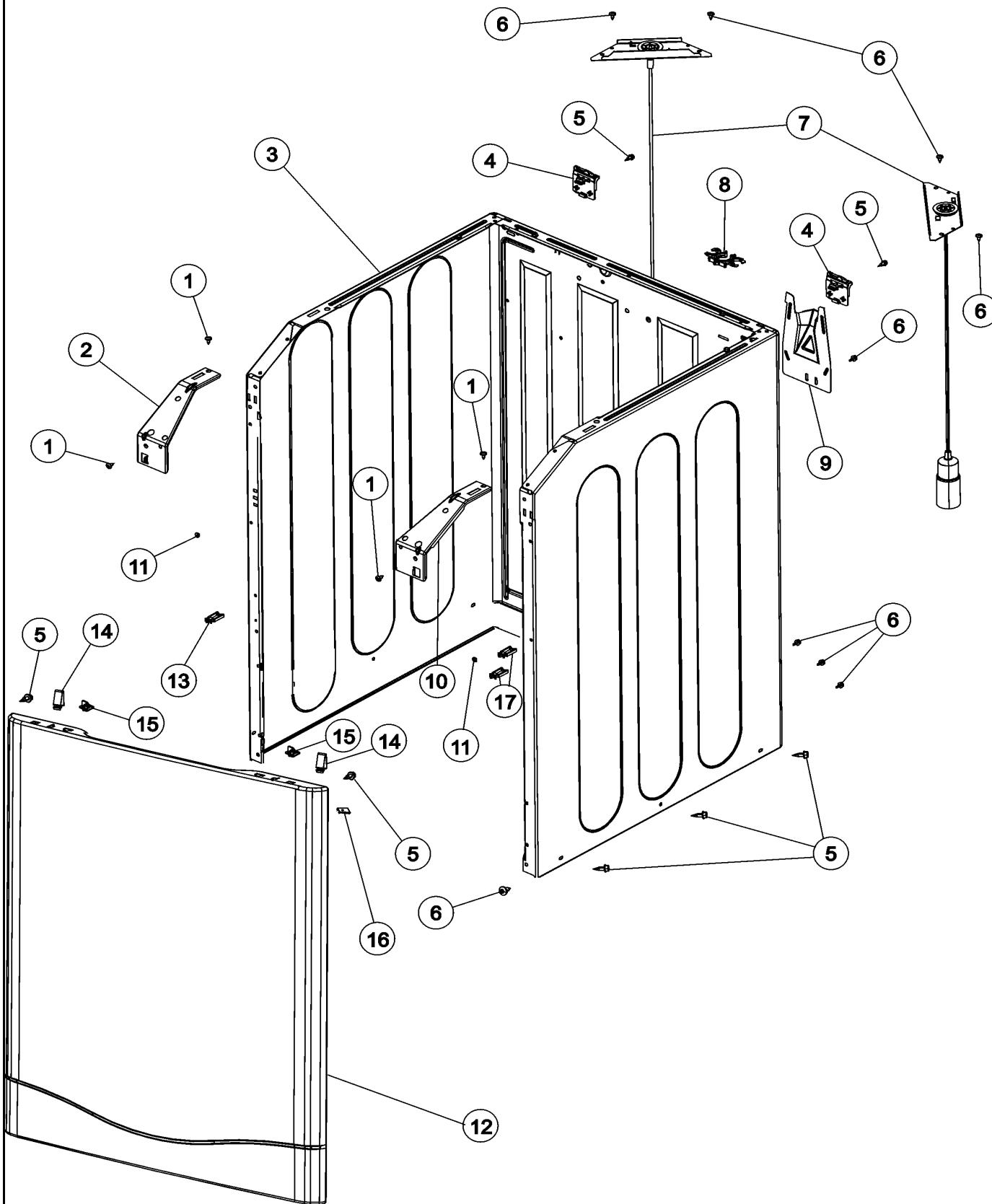
## Section: CONTROL PANEL, TOP & LID

No.	Part No.	Description	Series	Qty
1	310632	SCREW	10	1
2	205161	CLAMP - 15/16"	10	2
3	25001026	HOLE PLUG - WATER VALVE	10	1
4	Y014874	SCREW	10	1
5	25001220	MEMBRANE SWITCH	17	1
5	25001124	LED CONSOLE ASSY (WHT)	10	1
5	25001206	LED CONSOLE ASSY (WHT ASPK)	13	1
6	22003817	SCREW, SERRATED WASHER HEAD HX	10	2
7	25001031	EMI FILTER (LINE)	10	1
8	22003298	RETAINER, WIRE	10	2
9	25001045	HOSE, H2O VALVE TO DISP VALVE	10	1
10	22002300	SCREW	10	1
11	25001023	BRACKET, DISP VALVE MTG.	10	1
12	25001043	VALVE, DISPENSER	10	1
13	12002197	SOFTENER DISPENSER KIT-WHT	10	1
13	12002564	SOFTENER DISPENSER KIT (WHT)	15	1
14	25001028	SCREW, #6 X 3/4 PLASTITE	10	2
15	25001035	BUMPER	10	2
-	25001024	LID LOCK MAGNET	10	1
16	25001037	LID LOCK (R.H.)	10	1
-	25001024	LID LOCK MAGNET	10	1
17	25001048	LID LOCK (L.H.)	10	1
18	12002199	BLEACH DISPENSER KIT - WHT		1
18	12002565	BLEACH DISPENSER KIT (WHT)	15	1
19	25001176	TOP COVER AS PACK (WHT)	10	1
20	25001004	CLIP, UPPER HARNESS	10	2
21	25001046	VALVE, WATER INLET	10	1
22	211881	GROMMET, CORD	10	1
23	25001001	CONTROL BOARD / LED NTL	10	1
23	25001188	LED MACHINE CONTROL BOARD ASSY	11	1
24	25001025	HOLE PLUG - WIRE HARNESS	10	1
25	33-7891	HOSE, 4' INLET	10	1
26	21001316	HOSE, INLET (HOT)	10	1
27	Y013783	GASKET, INLET HOSE	10	4
28	22002960	STRAINER, WASHER INLET	10	2
29	22002925	SCREW	10	5
30	25001047	PANEL, CONSOLE BACK	10	1
31	25001179	SPLASH GUARD	10	1
31	25001021	SCREW, #8-16 TRUSS HD	10	2
32	25001038	RETAINER, LID HINGE (L.H.)	10	1
33	25001117	LID - WHT - AS PK	10	1
34	25001027	RETAINER, LID HINGE (R.H.)	10	1
35	25001084	INNER LID W/SEAL (WHT AS PK)	10	1
36	25001098	DETERGENT DISP. ASSY. (WHT)	10	1
37	22002753	BUSHING, HINGE	10	2

\*Color Code (-)=Not Shown #=Series, Serial Prefix or Run No., N=Not Available

Section: CABINET

Model: FAV6800AWW



LW12-108

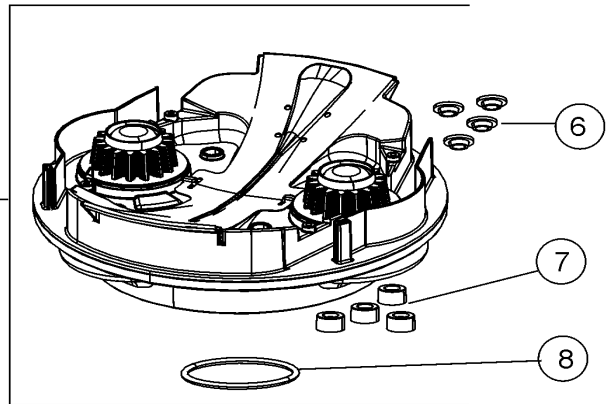
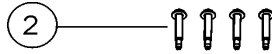
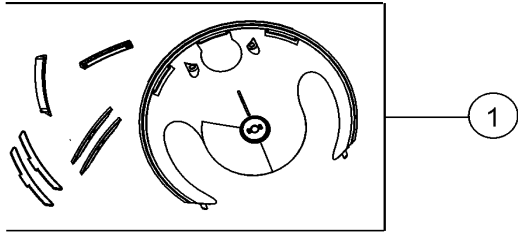
**Section: CABINET**

No.	Part No.	Description	Series	Qty
1	22003735	SCREW, #10-16X1/2 AB TRUSS	10	1
2	22002840	BRACE, CABINET (LT)	10	1
3	25001077	CABINET (WHT AS PK)	10	1
4	22004095	HINGE, PLASTIC	10	2
5	22001995	SCREW	10	10
6	33002190	SCREW (#10-3/8")	10	10
7	25001014	ASSY., REAR STRUT	10	2
8	22002932	CLIP, DRAIN HOSE	10	3
9	22002704	COVER, DRAIN HOSE	10	1
10	22002839	BRACE, CABINET (RT)	10	1
11	22002965	HOLE PLUG	10	2
12	25001074	FRONT PANEL (WHT AS PK)	10	1
13	25001178	CLIP, HARNESS	10	2
14	25-7220	CLIP, CABINET TOP	10	2
15	22002013	STOP, SHIPPING	10	2
16	213280	FRONT PANEL BRACKET/FASTENER	10	2
17	33002040	CLIP, WIRE HARNESS	10	1

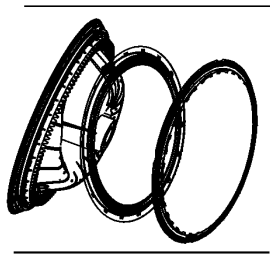
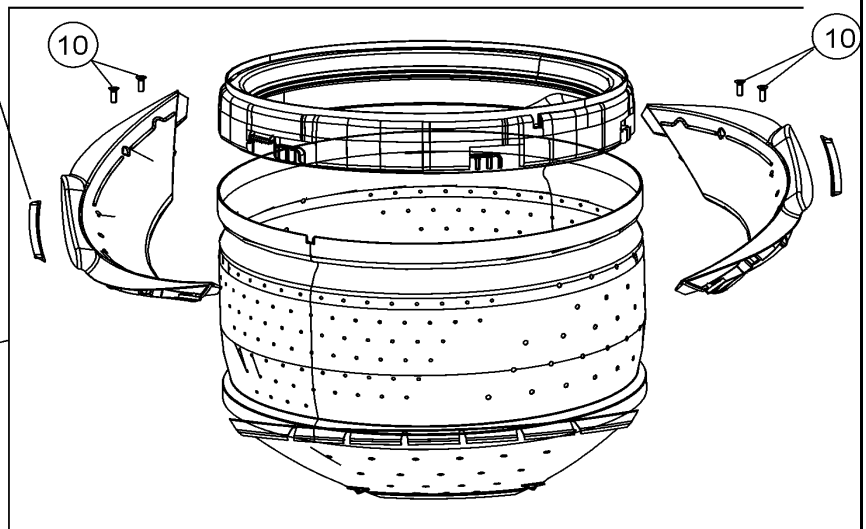
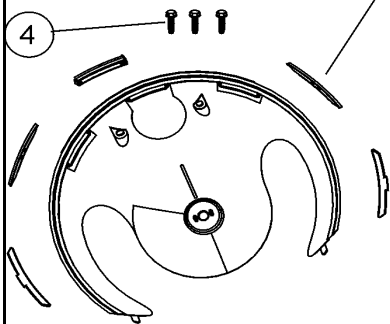
\*Color Code (-)=Not Shown #=Series, Serial Prefix or Run No., N=Not Available

**Section: INNER TUB / SPINNER**

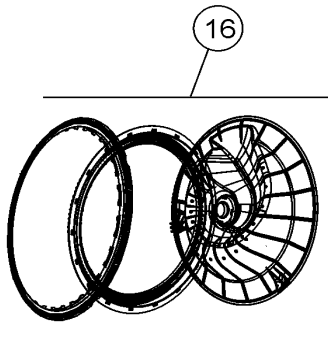
**Model: FAV6800AWW**



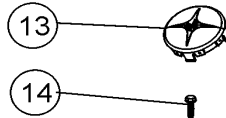
INDIVIDUAL PIECES BELOW SOLD ONLY IN KIT #1 ABOVE. PARTS ARE BEING SHOWN FOR PLACEMENT PURPOSES ONLY.



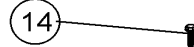
12



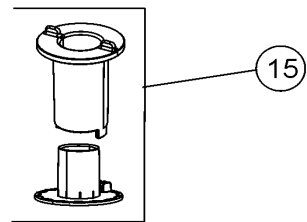
16



13

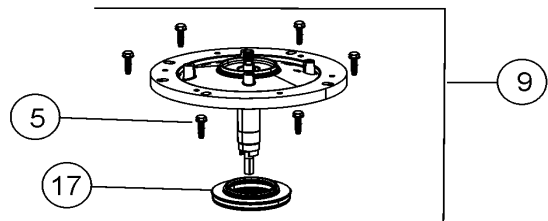


14



15

NOTE:  
ALL ASSEMBLIES AND  
KITS BROKEN DOWN  
TO SHOW CONTENTS



5

17

9

**Section: INNER TUB / SPINNER**

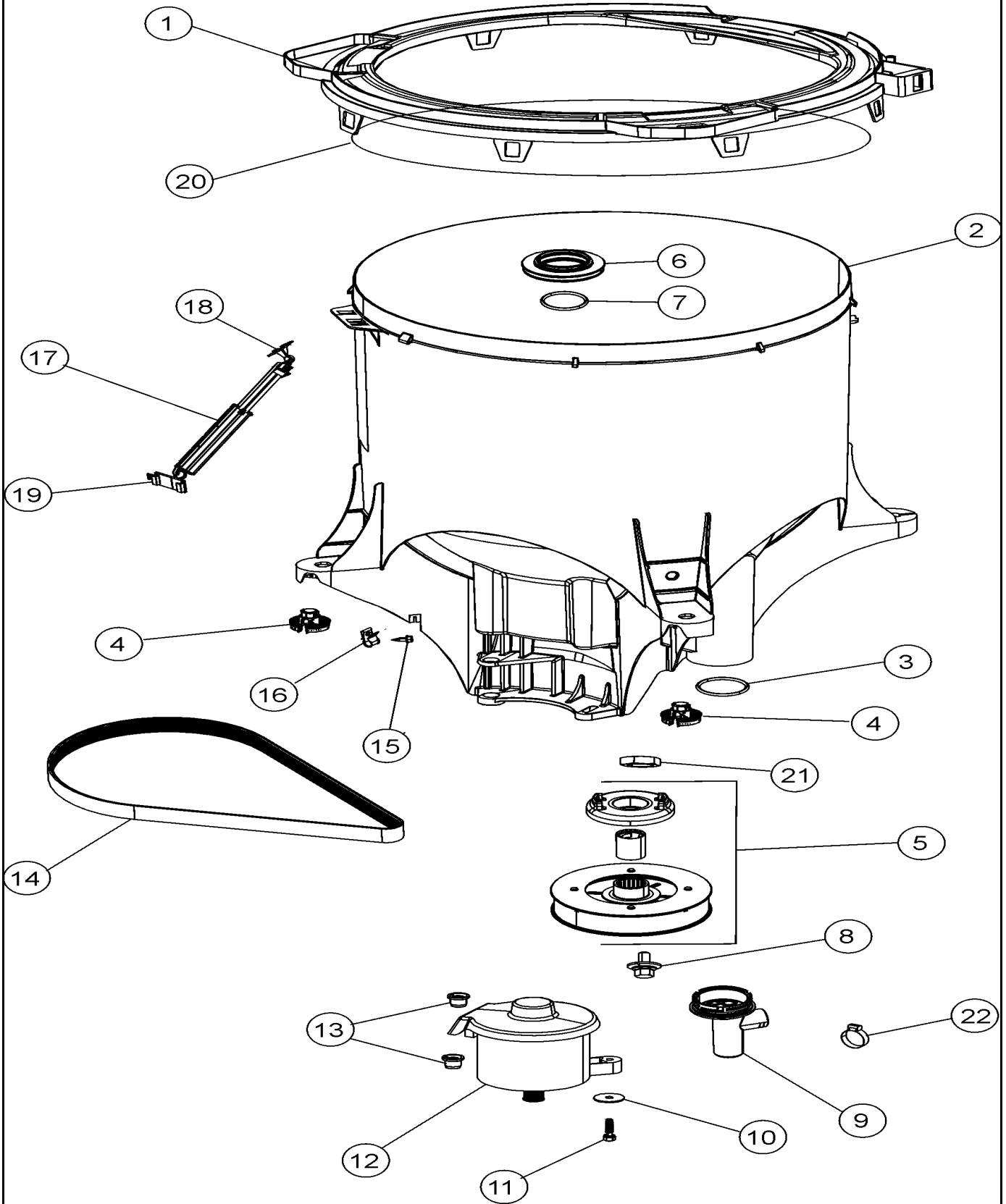
No.	Part No.	Description	Series	Qty
1	12002196	LIFTER BEARING KIT	10	1
2	25001059	SCREW #8-18 1/2 C'SINK SS	10	4
3	25001089	TRANSMISSION ASSY (AS PK)	10	1
4	25001011	SCREW, #8 SS	10	3
5	25001091	BOLT, 5/16	10	6
6	25001104	RUBBER ISOLATOR PAD	10	4
7	25001103	RUBBER ISOLATOR SLEEVE	10	4
8	25001105	O-RING SEAL	10	1
9	25001057	SPINNER SUPPORT ASSY (AS PK)	10	1
10	25001059	SCREW #8-18 1/2 C'SINK SS	10	4
11	Y25001058	SPINNER ASSEMBLY (AS PK)	10	1
12	25001144	TUMBLER ASSY. RH	10	1
13	25001010	LIFTER CAP, PLASTIC	10	1
14	25001011	SCREW, #8 SS	10	1
15	12002195	LIFTER FLANGE BEARING KIT	10	1
16	25001145	TUMBLER ASSY. LH	10	1
17	25001090	TUB SEAL	10	1

\*Color Code (-)=Not Shown #=Series, Serial Prefix or Run No., N=Not Available



Section: OUTER TUB

Model: FAV6800AWW



LW13-65

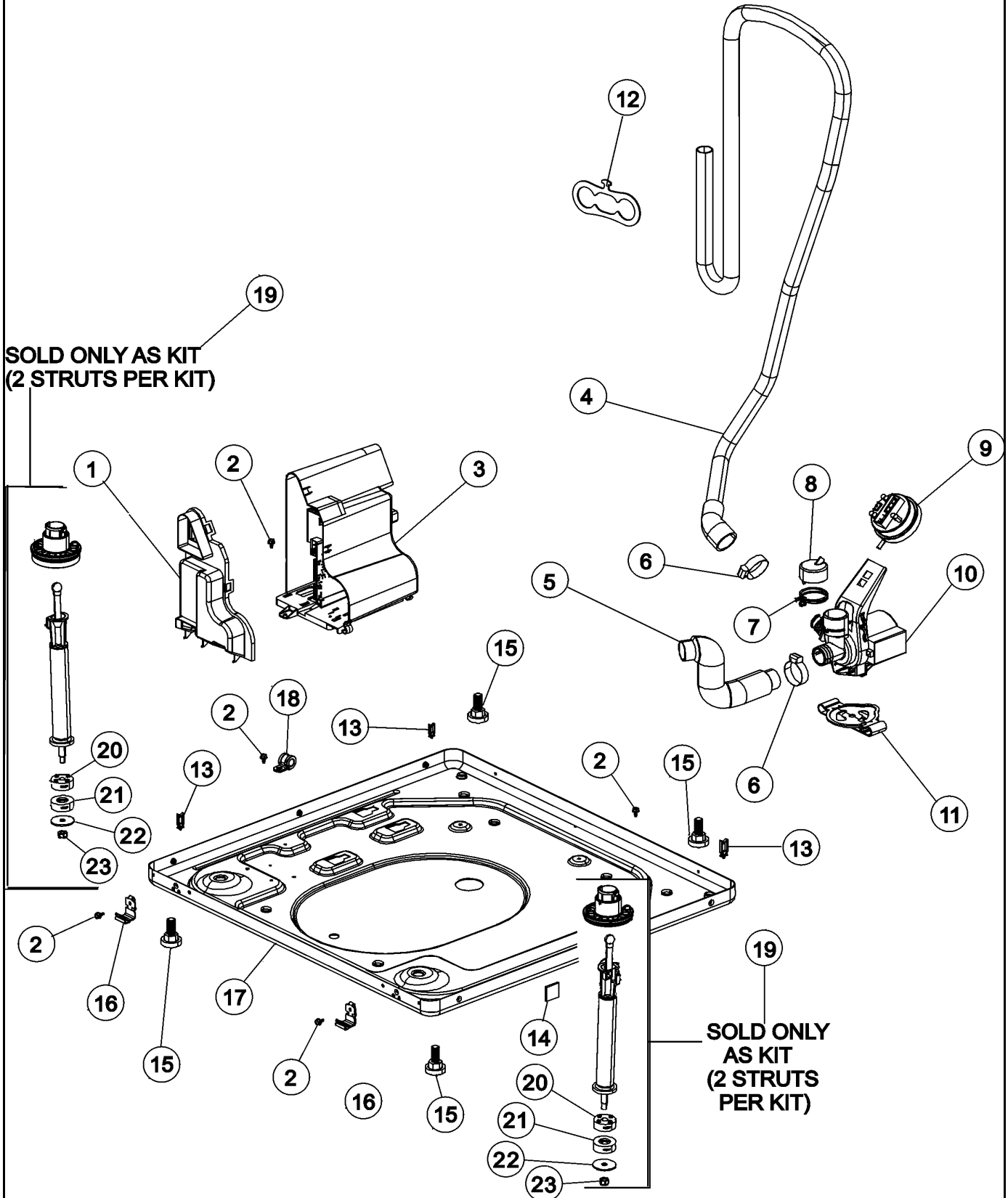
## Section: OUTER TUB

No.	Part No.	Description	Series	Qty
1	25001224	TUB COVER AS PACK	17	1
1	25001030	TUB COVER AS PACK	10	1
2	25001081	OUTER TUB ASSY (AS PK)	10	1
2	25001199	OUTER TUB ASSEMBLY AS PACK	12	1
3	25001096	O-RING, TUB OUTLET	10	1
4	25001139	BASE STRUT ASSY Note: SEE BASE SECTION ITEM 19 TO ORDER	10	2
5	12002211	PULLEY & CLUTCH ASSY - AS PK	10	1
5	25001044	SCREW, 1/4 - 20 SHOULDER BOLT Note: NOT SHOWN ON ART - TRANNY TO SUB BASE	10	4
5	25001169	ASSEMBLY; CLUTCH	12	1
6	25001090	TUB SEAL	10	1
7	25001096	O-RING, TUB OUTLET	10	1
8	25001099	BOLT, SEMS 1/4 X.5	10	1
9	25001029	SUMP CAP (LED)	10	1
10	22004306	WASHER, HARDENED	10	1
11	22003686	BOLT, MOTOR	10	1
12	25001222	MOTOR	17	1
12	25001034	MOTOR, VARIABLE SPEED	10	1
13	22003329	ISOLATOR, MOTOR	10	2
14	25001054	BELT, STRETCH	10	1
15	25001021	SCREW, #8-16 TRUSS HD	10	1
16	25001017	"P" CLIP	10	1
17	12002194	TUB DISPLACEMENT SENSOR KIT	10	1
18	25001181	OUTER TUB SENSOR CLIP	10	1
19	25001182	CABINET SENSOR CLIP	10	1
20	25001180	TUB COVER SEAL	10	1
21	25001036	JAM NUT	10	1
22	22001984	CLAMP, DRAIN HOSE	10	1

\*Color Code (-)=Not Shown #=Series, Serial Prefix or Run No., N=Not Available

Section: BASE

Model: FAV6800AWW



## Section: BASE

No.	Part No.	Description	Series	Qty
1	25001033	DRIP SHIELD, MOTOR CONTROL	10	1
2	33002190	SCREW (#10-3/8")	10	6
3	25001079	MOTOR CONTROL ASSY W/BRKT	10	1
4	25001050	HOSE, DRAIN	10	1
5	25001051	HOSE, TUB TO PUMP	10	1
6	22001984	CLAMP, DRAIN HOSE	10	2
7	22002853	CLAMP, HOSE	10	1
8	22003268	CAP, RUBBER	10	1
9	25001204	PRESSURE SWITCH (TWO LEVEL)	15	1
9	25001053	PRESSURE SWITCH	10	1
10	25001052	PUMP ASSEMBLY	10	1
11	25001012	PUMP ISOLATOR BRACKET	10	1
12	22002892	RETAINER, DRAIN HOSE	10	1
13	22003298	RETAINER, WIRE	10	3
14	22002782	PAD, FOAM (SOUND DAMPENER)	10	4
15	25001119	FOOT & PAD ASSEMBLY	10	4
16	22004045	CLIP, LOWER FRONT PANEL	10	2
17	25001007	BASE ASSY, AS-PACK	10	1
18	22004102	P CLIPS	10	2
19	12002202	BASE STRUT ASSY - AS PK - KIT Note: KIT CONSISTS OF 2 STRUTS	10	1
20	25001142	ISOLATOR, MALE	10	2
21	25001141	STRUT ISOLATOR, MALE	10	2
22	22002320	WASHER, STRUT	10	2
23	22002321	NUT, LOCKING	10	2

\*Color Code (-)=Not Shown #=Series, Serial Prefix or Run No., N=Not Available

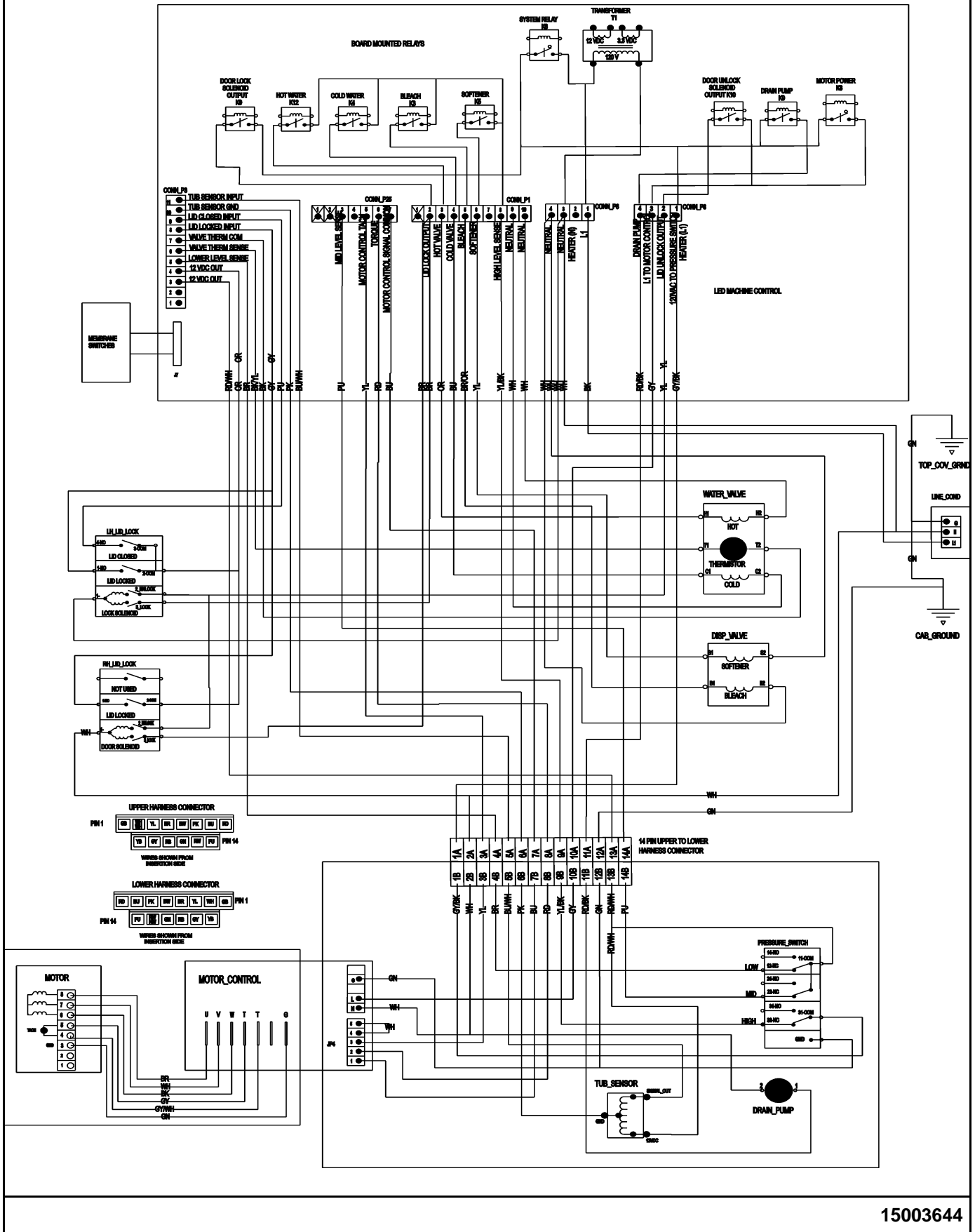
**Section: SUPPLEMENTAL INFORMATION**

No.	Part No.	Description	Series	Qty
1	62906130	MANUAL, USE & CARE	10	1
1	Y2201981	MANUAL, USE & CARE	14	1
2	2202707	MANUAL, USE & CARE (LED)	17	1
2	53-4240	GUIDE, USER DVD	10	1
2	2202706	MANUAL, QUICK START	17	1
3	22003218	LAUNDERING TIPS (TRILINGUAL)	10	1
4	25001019	HANG TAG, ENERGY (LCD)	10	1
5	25001104	RUBBER ISOLATOR PAD	10	4
6	25001186	PRESSURE SWITCH COVER	10	1
7	25001205	HARNESS, WIRE - LOWER	15	1
7	25001003	WIRE HARNESS (LOWER)	10	1
8	25001032	WIRE HARNESS, MOTOR	10	1
9	22003853	POWER CORD AS WRAPPED	10	1
10	22001817	SHEET, SOUND DAMPER (FT. PNL)	10	1
11	25001203	WIRE HARNESS, UPPER LED	13	1
11	25001068	WIRE HARNESS, UPPER (LED)	10	1
12	16022808	SVC MAN, DOM WASHER	10	1
13	20001130	PLATE, LOCKING	10	1
14	20001129	WRENCH	10	1
15	12002139	KIT, SPINNER TOOL	10	1
16	25001075	SOUND PAD	10	1

\*Color Code (-)=Not Shown #=Series, Serial Prefix or Run No., N=Not Available

# Section: WIRING INFORMATION

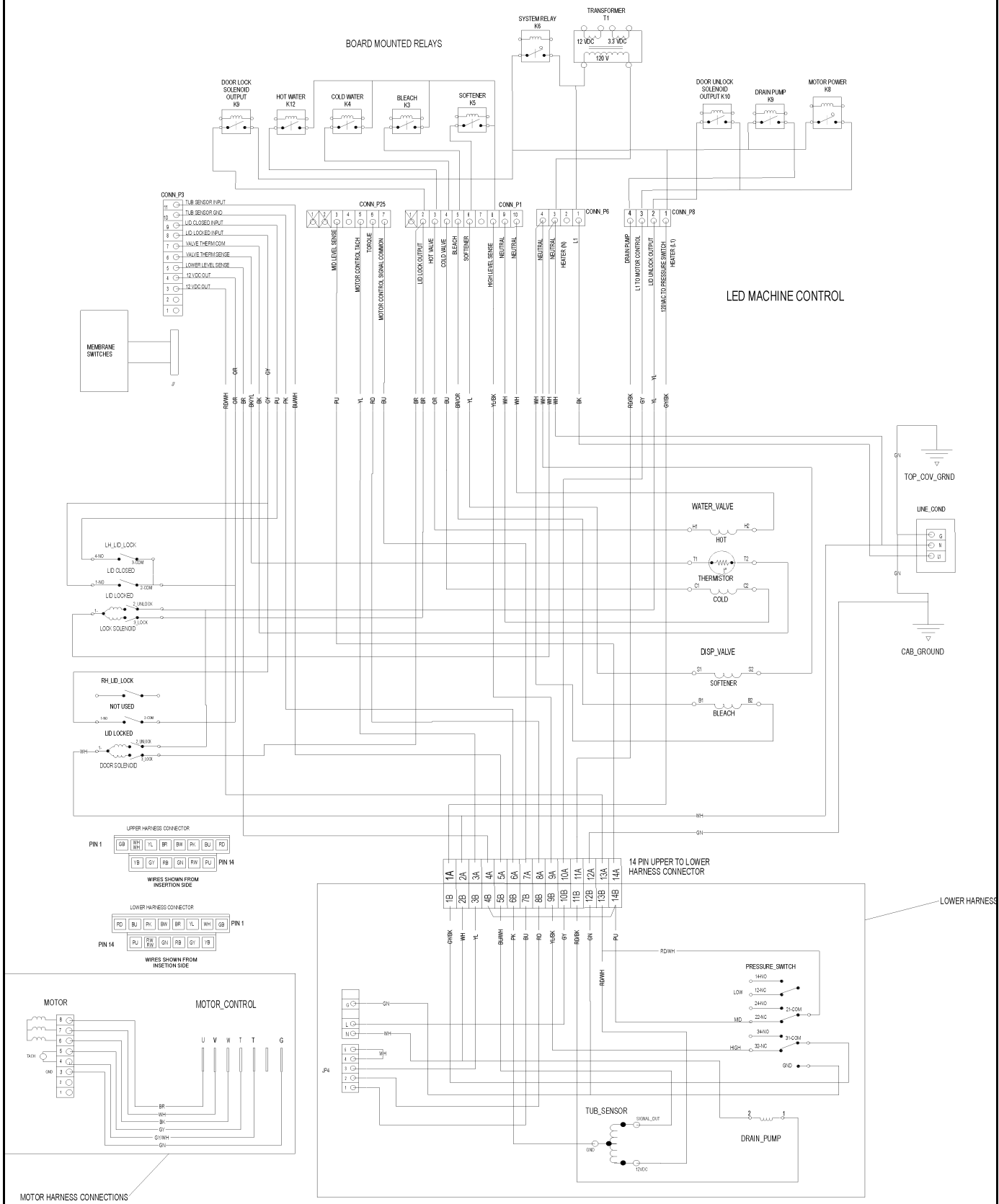
Model: FAV6800AWW



15003644

# Section: WIRING INFORMATION

## Model: FAV6800AWW



15003649

